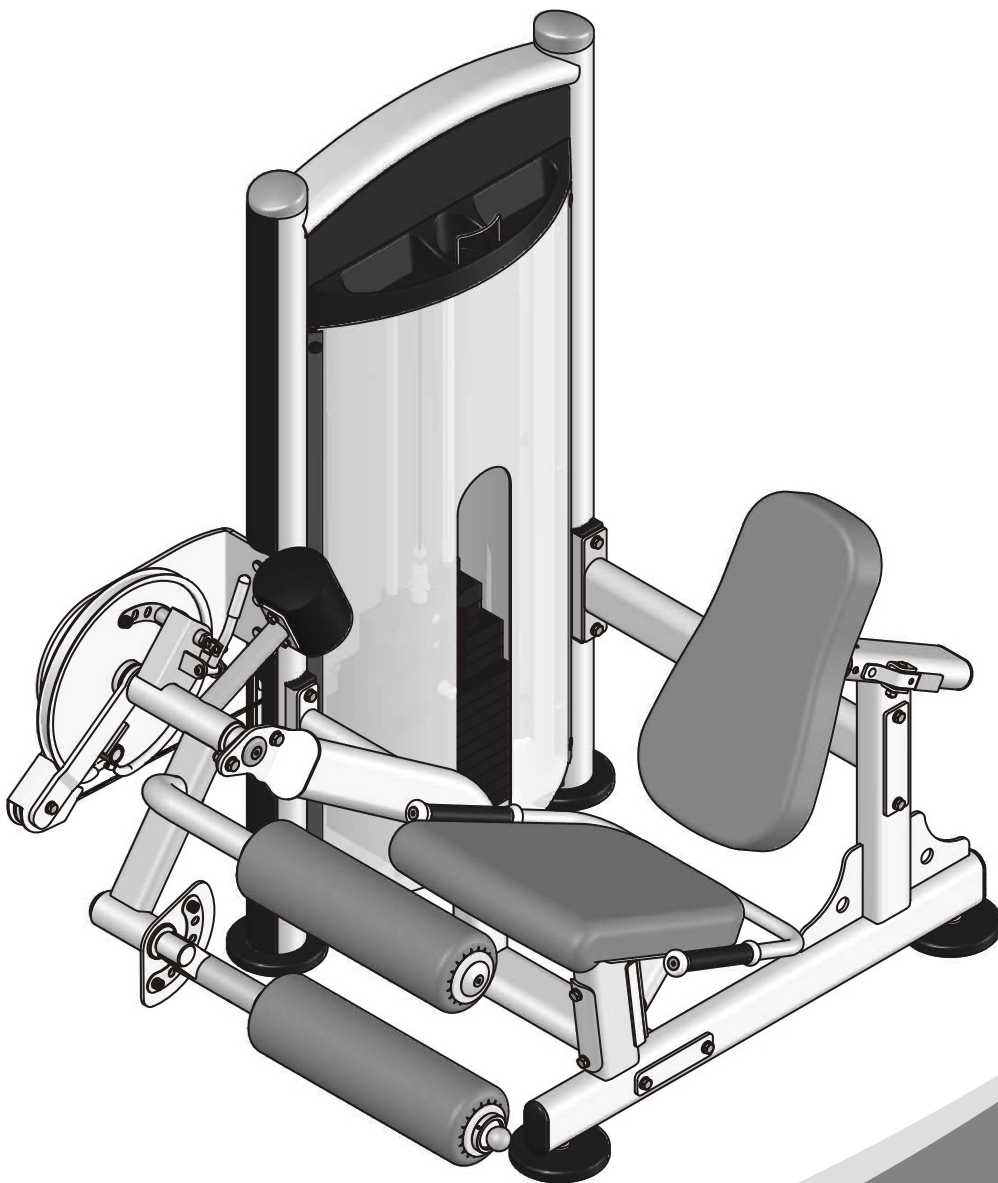


# IT9328

LEG EXTENSION/LEG CURL

## OWNER'S MANUAL



### **! CAUTION**

Read all precautions  
and instructions in this manual  
before using this equipment

**! CAUTION**

Read all precautions and instructions in this manual before using this equipment.

**Table Of Contents**

Important Safety Instructions----- 3

Instructions----- 4

Parts List----- 5

Exploded View ----- 7

Measurement Guide----- 8

Assembly Instructions----- 9

Assembly----- 10

Exercise Instructions----- 20

Maintenance Schedule----- 21

General Maintenance Information----- 22

Weight Training Tips----- 23

Please assemble according to the actual **weights and Shroud** you buy !

## Important Safety Instructions

Before beginning any fitness program, you should obtain a complete physical examination from your physician. When using exercise equipment, basic precautions should always be taken, including the following:

- \* Read all instructions before using the equipment. These instructions are written to ensure your safety and to protect the unit.
- \* Do not allow children on or near the equipment.
- \* Use the equipment only for its intended purpose as described in this guide. Do not use accessory attachments that are not recommended by the manufacturer: such attachments might cause injuries.
- \* Wear proper exercise clothing and shoes for your workout----no loose clothing.
- \* Be careful when getting on or off the equipment.
- \* Do not overexert yourself or work to exhaustion.
- \* If you feel any pain or abnormal symptoms, stop your workout immediately and consult your physician.
- \* Never operate the unit when it has been dropped or damaged.
- \* Never drop or insert anything into any opening in the equipment.
- \* Always check the unit and its cables before each use. Make sure that all fasteners and cables are secure and in good working condition.
- \* Frayed or worn cables can be dangerous and may cause injury. Periodically check these cables for any indication of wear.
- \* Keep hands, limbs, loose clothing and long hair well out of the way of moving parts.
- \* Do not attempt to lift more weight than you can control safely.
- \* Do not use the equipment outdoors.

### Personal Safety During Assembly

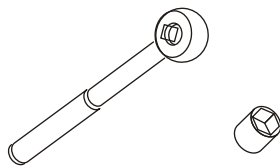
- \* Read each step in the assembly instructions and follow the steps in sequence. Do not skip ahead. If you skip ahead, you may learn later that you have to disassemble components and that you may have damaged the equipment.
- \* Assemble and operate the equipment on a solid, level surface. Locate the unit a few feet from walls or furniture to provide easy access. The equipment is designed for your enjoyment. By following these precautions and using common sense, you will have many safe and pleasurable hours of healthful exercise with the equipment.

## Instructions

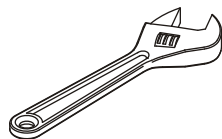
Before beginning assembly please take the time to read instructions thoroughly. Please use the various lists in this manual to make sure that all parts have been included in your shipment. When ordering, use part number and description from the lists. Use only our replacement part when servicing. Failure to do so will void your warranty and could result in personal injury.

The equipment is designed to provide the smoothest, most effective exercise motion possible. After assembly, you should check all functions to ensure correct operation. If you experience problems, first recheck the assembly instructions to locate any possible errors made during assembly. If you are unable to correct the problem, call your authorized dealer. Be sure to have your serial number and this manual when calling. When all parts have been accounted for, continue on.

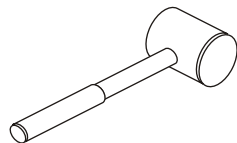
## Tools Required



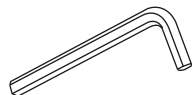
Ratchet Wrench and Socket



Adjustable Wrench



Rubber Mallet



Hex Key Wrench Set

## Parts List

**NOTE: SOME OF THESE PARTS MAY COME PRE-INSTALLED**

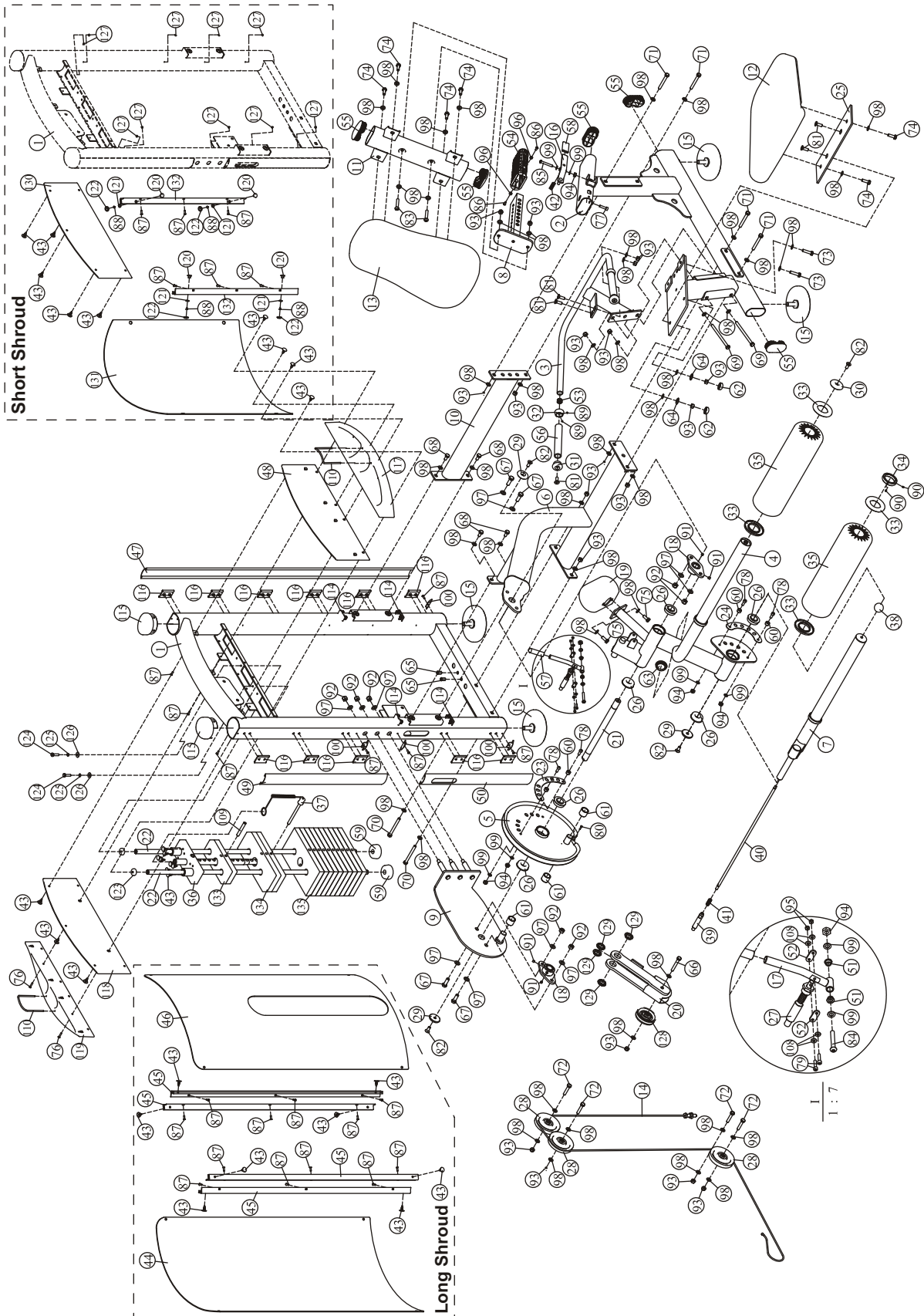
Item No.	Description	Qty	Item No.	Description	Qty
1	Weight Stack Frame	1	34	Collar $\Phi 65.6 \times \Phi 50.5 \times 12.7$	1
2	Main Frame	1	35	Roller	2
3	Handle	1	36	Top Plate	1
4	Pivot Arm	1	37	Selector Pin W/Coil	1
5	Cam	1	38	Ball	1
6	Bottom Cross Brace	1	39	Pin End	1
7	Swing Tube	1	40	Pin Pole	1
8	Adjustable tube	1	41	Spring $\Phi 1.2 \times \Phi 12.9 \times 70$	1
9	Main Bracket	1	42	Spring $\Phi 1.2 \times \Phi 13 \times 38.6$	1
10	Rear Cross Brace	1	43	Button	19
11	Back Pad Support	1	44	Rear Shroud	1
12	Seat Pad	1	45	Shroud Retainer Plate	4
13	Back Pad	1	46	Front Shroud	1
14	Cable	1	47	Side Cover	1
15	Adjustable Foot plate	4	48	Top Front Shroud	1
16	Adjustable Support	1	49	Upper Side Cover	1
17	Adjustable Handle	1	50	Lower Side Cover	1
18	Flange	2	51	Bushing	2
19	Counter Poise Block	1	52	Plate	2
20	Reversing Frame	1	53	Nut	2
21	Main Shaft $\Phi 25 \times 365$	1	54	Plastic Tube Guide	2
22	Guide Rod	2	55	Plug RT50*100	5
23	Scaleboard	1	56	Grip	2
24	Swing Tube Scaleboard	1	57	Yellow Grip	1
25	Seat Pad Plate	1	58	Adjustable Support Sleeve	1
26	Bearing $\Phi 50.8 \times \Phi 25.4 \times 15.9$	6	59	Weight Rubber Bumper $\Phi 63.5 \times \Phi 19 \times 25.4$	2
27	Pin	1	60	Little Bumper $\Phi 17 \times 10.5$	4
28	4.5" Pulley	3	61	Bumper $\Phi 32 \times \Phi 25.4 \times 28$	3
29	Aluminum End Cap $\Phi 50 \times \Phi 10.5 \times 8$	3	62	Plastic Cap $\Phi 30$	2
30	Aluminum End Cap $\Phi 60 \times \Phi 10.5 \times 10.9$	1	63	Plug $\Phi 50 \times 18.5$	1
31	Aluminium Grip Cap	2	64	Washer $\Phi 27.6 \times \Phi 12.8 \times 3.5$	2
32	Aluminium Grip ring	2	65	Rivet Nut M8	2
33	Big Collar	4	66	Hex Head Bolt M10*70	1

## Parts List

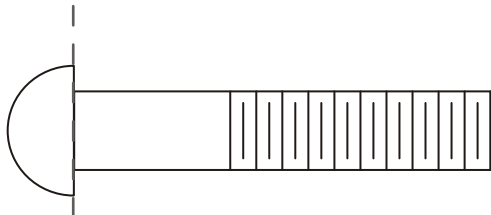
**NOTE: SOME OF THESE PARTS MAY COME PRE-INSTALLED**

Item No.	Description	Qty	Item No.	Description	Qty
67	Hex Head Bolt M12*35	4	100	L Bracket	4
68	Hex Head Bolt M10*20	4	101	Hex Key S=3	1
69	Hex Head Bolt M10*135	2	102	Hex Key S=4	1
70	Hex Head Bolt M10*100	2	103	Hex Key S=5	1
71	Hex Head Bolt M10*80	4	104	Hex Key S=6	1
72	Hex Head Bolt M10*50	4	105	Hex Key S=3/32"	1
73	Hex Head Bolt M10*40	2	106	Wrench	1
74	Hex Head Bolt M10*30	6	107	Lube	1
75	Hex Head Bolt M10*25	2	108	Flat Washer $\Phi 5.5 \times \Phi 12 \times 1$	4
76	Flat Philips Screw M5*25	2	109	Split Pin $\Phi 11 \times 76$	1
77	Socket Head Cap Screw M8*30	1	110	Arc Bracket	1
78	Socket Head Cap Screw M8*20	4	114	Plug	4
79	Socket Head Cap Screw M5*25	2	115	Plug $\Phi 95.4 \times 61$	2
80	Socket Head Cap Screw M4*15	1	116	Plastic Block	11
81	Flat Head Cap Screw M10*30	6	117	Support	1
82	Flat Head Cap Screw M10*25	4	118	Top Rear Shroud A	1
83	Button Head Cap Screw M10*65	2	119	Rear Support	1
84	Button Head Cap Screw M8*60	1	120	Connect Button	4
85	Button Head Cap Screw M8*55	1	121	Plastic Washer	4
86	Button Head Cap Screw M6*12	2	122	Plastic Cover	4
87	Flat Philips Screw M5*16	19	123	Rubber Plug $\Phi 29 \times \Phi 19 \times 10$	2
88	Screw ST4.2*10	4	124	Hex Head Bolt M8*30	2
89	Socket Set Screw 10-32*3.2	4	125	Spring Washer $\Phi 8$	2
90	Socket Set Screw 10-32*6.4	2	126	Flat Washer $\Phi 9 \times \Phi 22 \times 1.6$	2
91	Socket Set Screw M8*8	4	127	Button $\Phi 8.1 \times 7$	10
92	Nylon lock Nut M12	7	128	3.5" Pulley	1
93	Nylon lock Nut M10	19	129	Bushing $\Phi 38 \times \Phi 25.4 \times 7.5$	4
94	Nylon lock Nut M8	6	130	Top Rear Shroud	1
95	Nylon lock Nut M5	2	131	Shroud	1
96	Hex Nut M6	2	132	Short Shroud Retainer Plate	2
97	Flat Washer $\Phi 13 \times \Phi 24 \times 1.5$	11	133	Weight Plate 5LBS	2
98	Flat Washer $\Phi 11 \times \Phi 20 \times 2$	48	134	Weight Plate 10LBS	3
99	Flat Washer $\Phi 9 \times \Phi 16 \times 1.6$	8	135	Weight Plate 15LBS	10

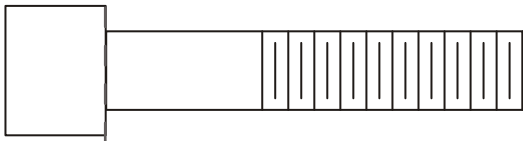
# Exploded View



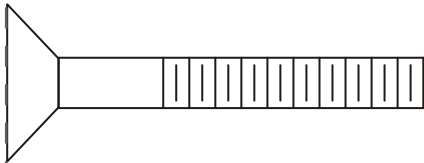
# Measurement Guide



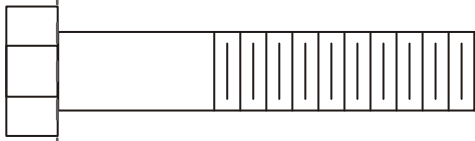
BHCS = Button Head Cap Screw



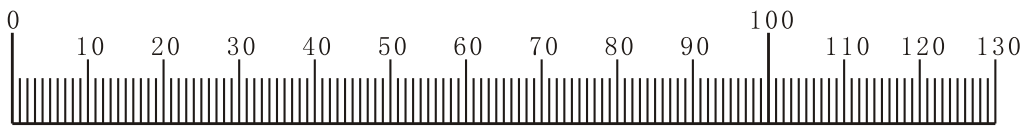
SHCS = Socket Head Cap Screw



FHCS = Flat Head Cap Screw



HHB = Hex Head Bolt



Millimeters



Inches



## Assembly Instructions

Assembly of the equipment takes professional installers about 2 hours. If this is the first time you have assembled this type of equipment, plan to spend more time. It is strongly recommended to assemble the equipment by professional installers. You may find it quicker, safer, easier to assemble this equipment with the help of a friend, as some of components may be large, heavy or awkward to handle alone. It is important that you assemble your product in a clean, clear, uncluttered area. This will enable you to move around the product while you are fitting components and reduce the possibility of injury during assembly.



### **Note**

As with any assembled part, proper alignment and adjustment is critical. While tightening the fasteners, be sure to leave room for adjustments. Do not fully tighten the fasteners until instructed to do so. Be careful to assemble the components in the sequence presented in this guide.

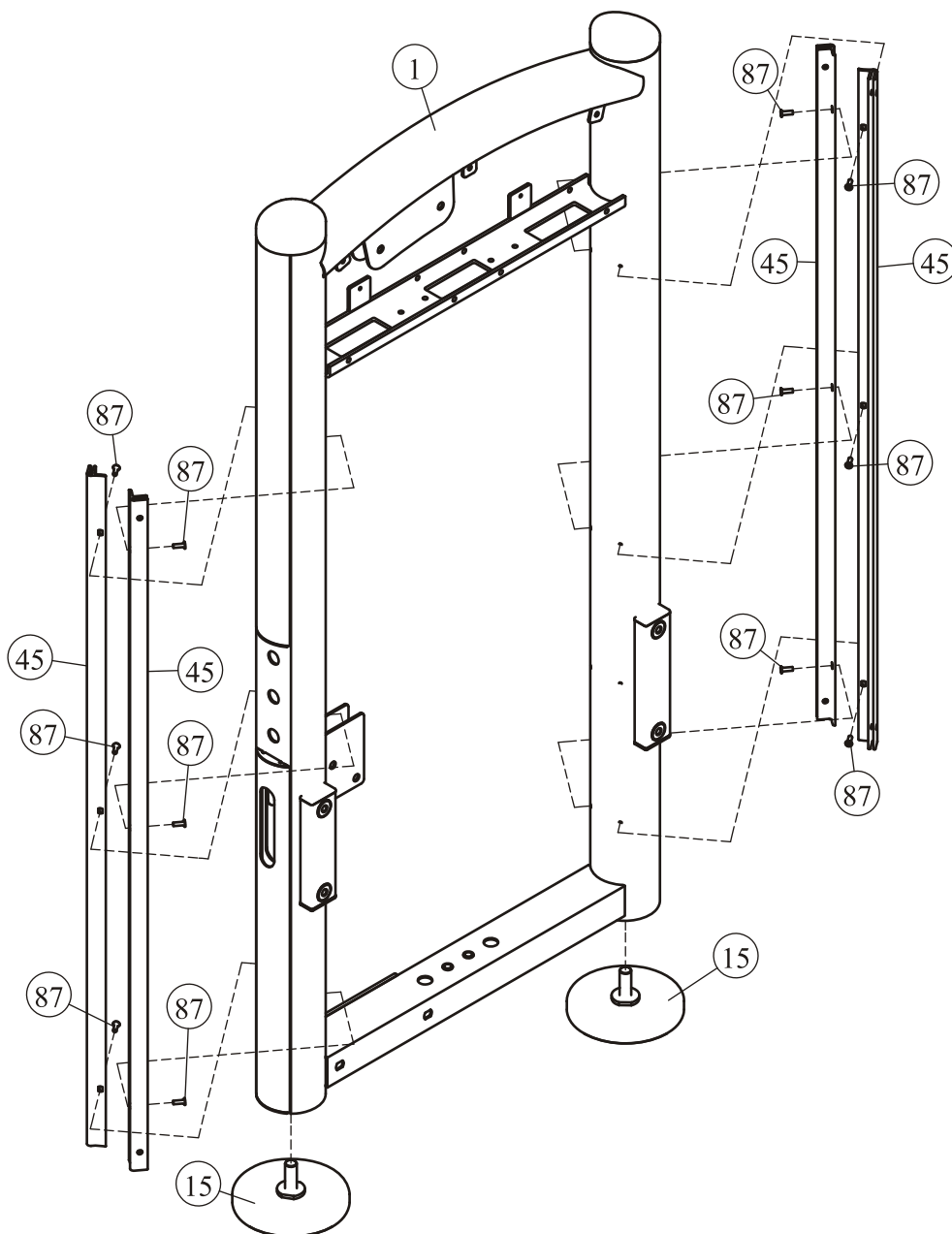
# Assembly

## STEP 1

1. Attach two Adjustable Foot Plate (#15) to the Weight Stack Frame (#1).
2. Attach four Shroud Retainer Plate (#45) to the Weight Stack Frame (#1) using:  
twelve M5\*16 Flat Philips Screw (#87)

**Note: Wrench Tighten Screws.**

Here is the assembly instruction for **Long Shroud !**



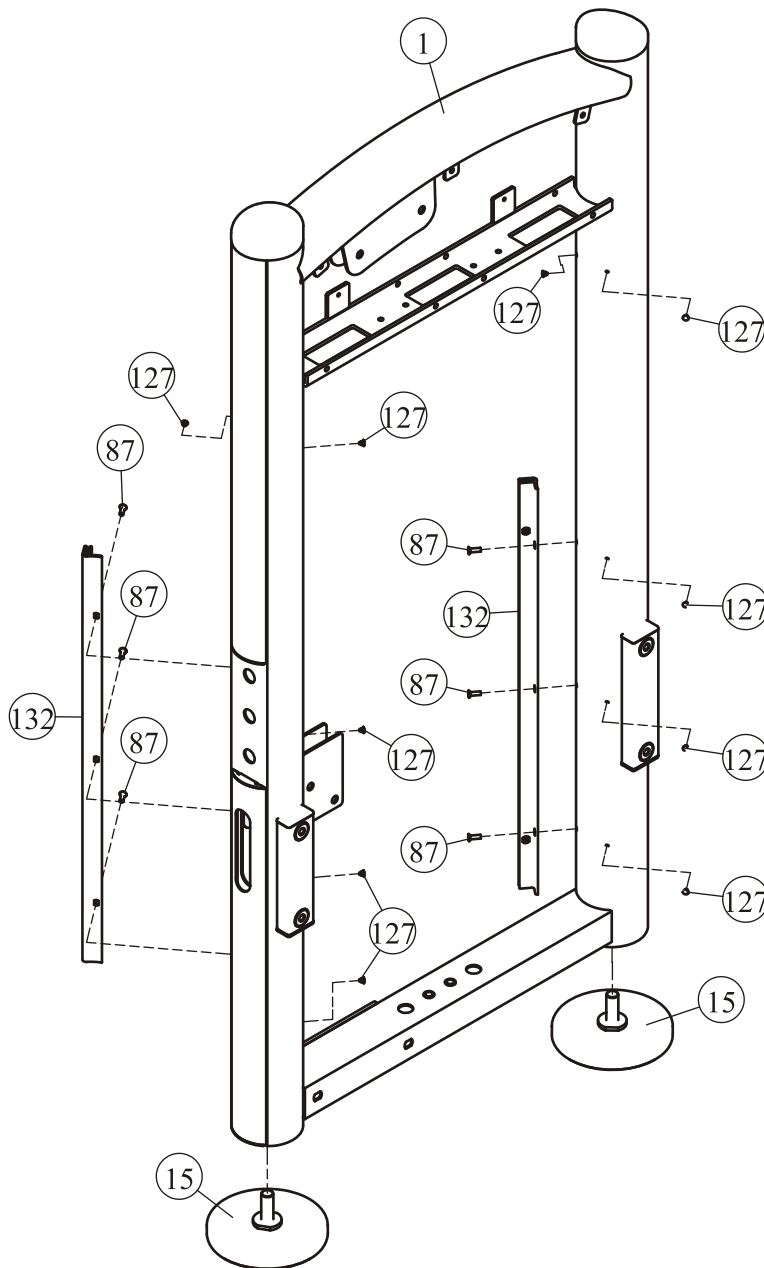
# Assembly

## STEP 1

1. Attach two Adjustable Foot Plate (#15) to the Weight Stack Frame (#1).
2. Attach two Short Shroud Retainer Plate (#132) to the Weight Stack Frame (#1) using:  
six M5\*16 Flat Philips Screw (#87)
3. Attach ten  $\Phi 8.1 \times 7$  Button (#127) to the Weight Stack Frame (#1).

**Note: Wrench Tighten Screws.**

Here is the assembly instruction for **Short Shroud !**

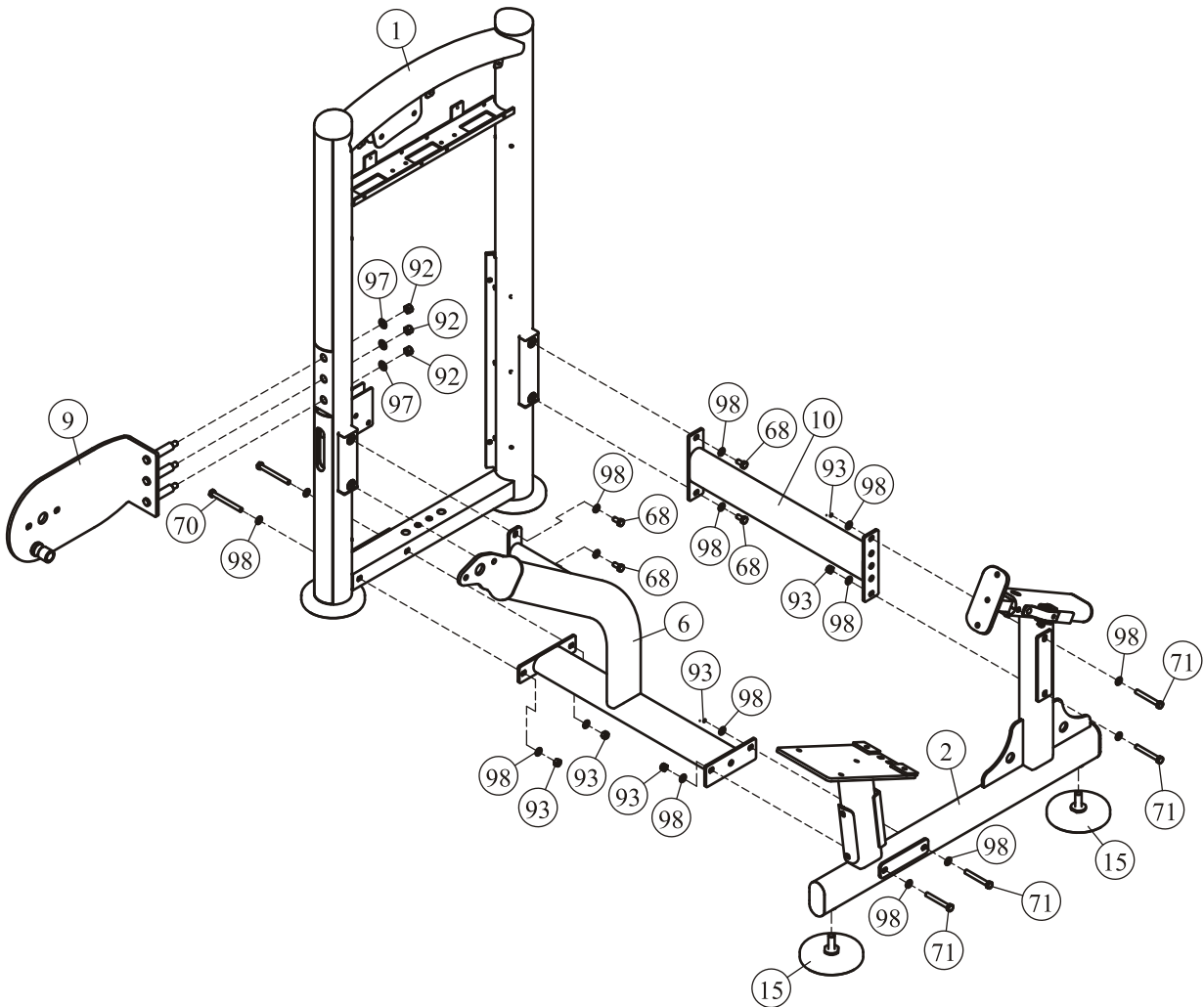


# Assembly

## STEP 2

1. Attach two Adjustable Foot Plate (#15) to the Main Frame (#2).
2. Attach the Main Bracket (#9) to the Weight Stack Frame (#1) using:  
three  $\Phi 13 \times \Phi 24 \times 1.5$  Flat Washer (#97)      three M12 Nylon Lock Nut (#92)
3. Attach the Bottom Cross Brace (#6) to the Weight Stack Frame (#1) using:  
two M10\*100 HHB (#70)      two M10\*20 HHB (#68)  
six  $\Phi 11 \times \Phi 20 \times 2$  Flat Washer (#98)      two M10 Nylon Lock Nut (#93)
4. Attach the Bottom Cross Brace (#6) to the Main Frame (#2) using:  
two M10\*80 HHB (#71)      four  $\Phi 11 \times \Phi 20 \times 2$  Flat Washer (#98)  
two M10 Nylon Lock Nut (#93)
5. Attach the Rear Cross Brace (#10) to the Weight Stack Frame (#1) using:  
two M10\*20 HHB (#68)      two  $\Phi 11 \times \Phi 20 \times 2$  Flat Washer (#98)
6. Attach the Rear Cross Brace (#10) to the Main Frame (#2) using:  
two M10\*80 HHB (#71)      four  $\Phi 11 \times \Phi 20 \times 2$  Flat Washer (#98)  
two M10 Nylon Lock Nut (#93)

**Note: Hand Tighten Bolts and Nylon Lock nuts.**



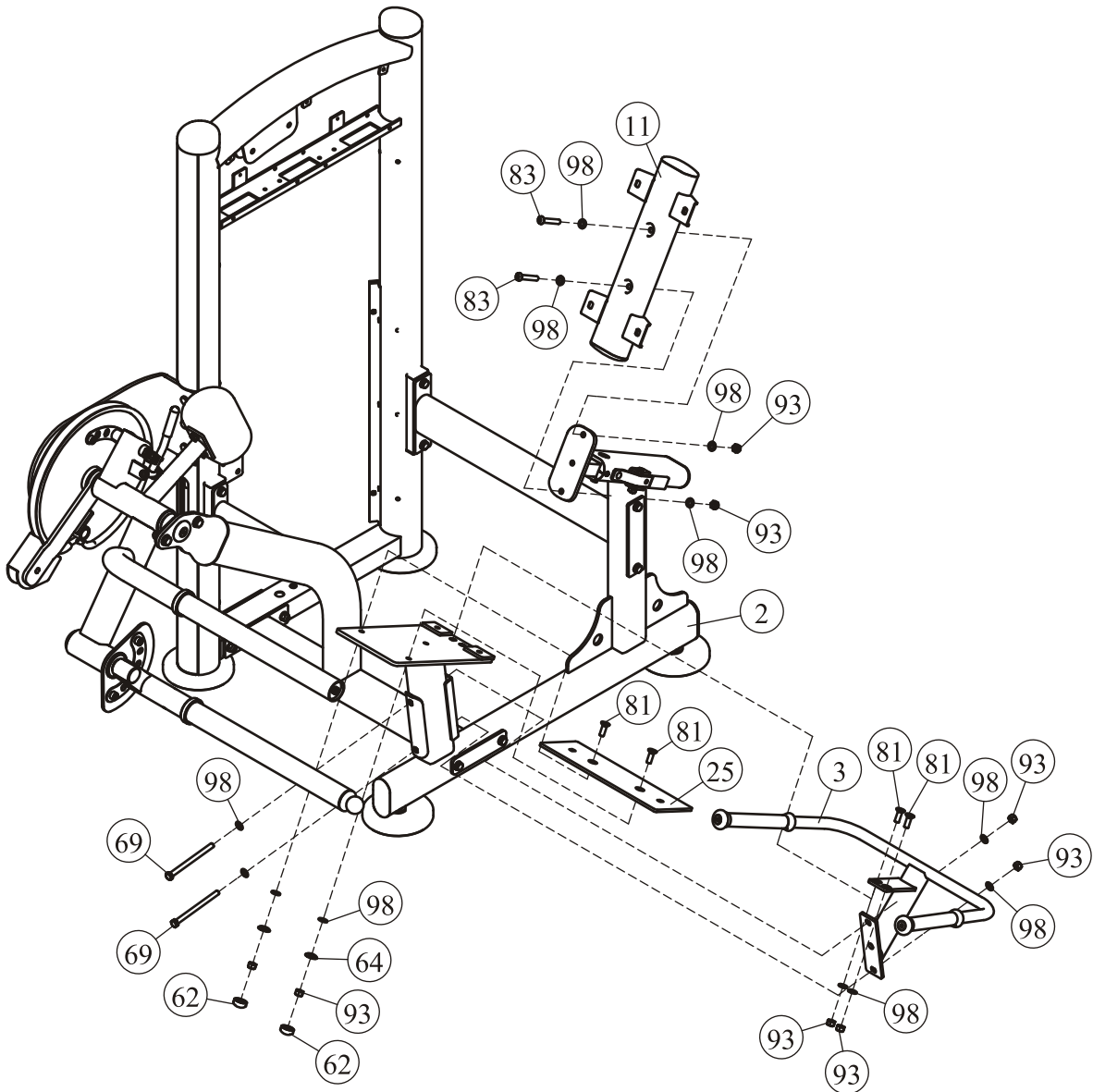


# Assembly

## STEP 4

1. Attach the Seat Pad Plate (#25) to the Main Frame (#2) using:
  - two M10\*30 FHCS (#81)
  - two M10 Nylon Lock Nut (#93)
  - two  $\Phi 30$  Plastic Cap (#62)
  - two  $\Phi 11*\Phi 20*2$  Flat Washer (#98)
  - two  $\Phi 27.6*\Phi 12.8*3.5$  Washer (#64)
2. Attach the Back Pad Support (#11) to the Main Frame (#2) using:
  - two M10\*65 BHCS (#83)
  - two M10 Nylon Lock Nut (#93)
  - four  $\Phi 11*\Phi 20*2$  Flat Washer (#98)
3. Attach the Handle (#3) to the Main Frame (#2) using:
  - two M10\*135 HHB (#69)
  - six  $\Phi 11*\Phi 20*2$  Flat Washer (#98)
  - two M10\*30 FHCS (#81)
  - four M10 Nylon Lock Nut (#93)

**Note: Wrench Tighten Bolts and Nylon Lock nuts.**



# Assembly

## STEP 5

### 1. Attach:

two Guide Rod (#22)

ten Weight Plate 15LBS (#135)

two Weight Plate 5LBS (#133)

to the Weight Stack Frame (#1) using:

two M8\*30 HHB (#124)

two  $\Phi 9 \times \Phi 22 \times 1.6$  Flat Washer (#126)

two  $\Phi 63.5 \times \Phi 19 \times 25.4$  Weight Rubber Bumper (#59)

three Weight Plate 10LBS (#134)

one Top Plate (#36)

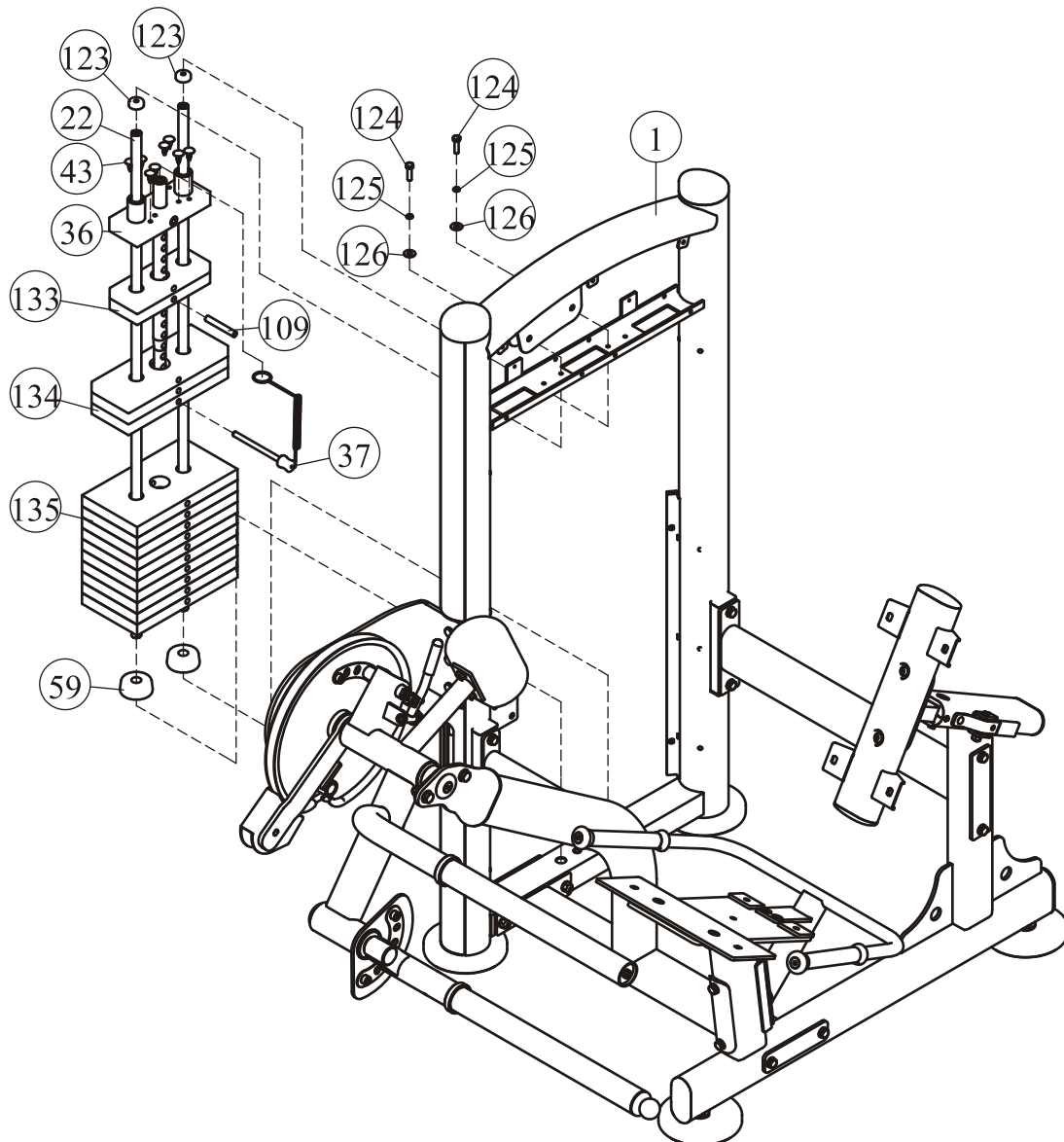
two  $\Phi 8$  Spring Washers (#125)

two  $\Phi 29 \times \Phi 19 \times 10$  Rubber Plug (#123)

2. Attach the Split Pin (#109) to the Second Weight Plate (#133) from above.

3. Attach the Selector Pin W/Coil (#37) & eight Button (#43) to the Top Plate (#36).

**Note: Wrench Tighten Bolts and Nylon Lock nuts.**









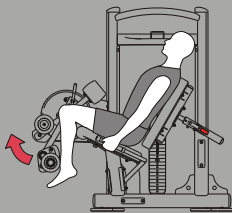




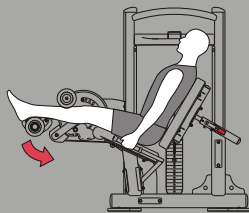
## Exercise Instructions

### LEG EXTENSION/LEG CURL

Leg extension

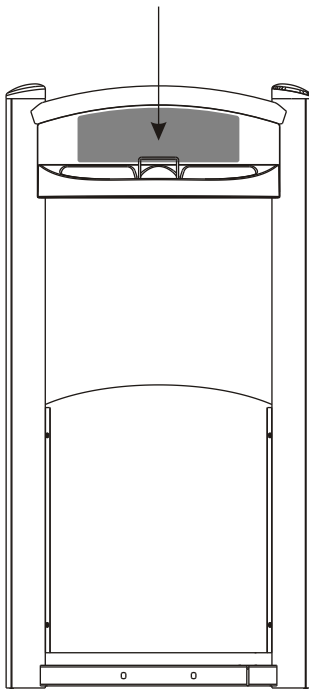
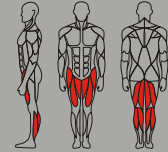


Leg curl



#### Exercise Instructions

1. select an appropriate weight.
2. Adjust back pad to the desired position.
3. **leg extension:**  
Select desired positioning, hook both feet under the lower roller pad, grasp handles extend legs.
- leg curl:**  
Select desired positioning, hook both feet over the roller pad, grasp handles, pull legs down slowly.
4. Slowly return to the starting position.



#### Exercise Instructions

1. select an appropriate weight.
2. Adjust back pad to the desired position.
3. **leg extension:**  
Select desired positioning, hook both feet under the lower roller pad, grasp handles extend legs.
- leg curl:**  
Select desired positioning, hook both feet over the roller pad, grasp handles, pull legs down slowly.
4. Slowly return to the starting position.  
(Adjust weight according to the select pin)

### Specifications

Class: S

Maximum Wt. Capacity: 91Kg/ 200lbs.

Maximum Load of Trainer: 150Kg/ 330lbs.

## Maintenance Schedule

ROUTINE	COMMERCIAL MAINTENANCE	HOME MAINTENANCE	LATEST DATE ENTRY						
Inspect; Links, Pull Pins, Snap Locks, Swivels, Weight Stack Pins	DAILY	WEEKLY							
Clean; Upholstery	DAILY	WEEKLY							
Inspect; Cables or Belts and their tension	DAILY	WEEKLY							
Inspect; Accessory Bars, and Handles	WEEKLY	3 MONTHS							
Inspect; All Decals	WEEKLY	3 MONTHS							
Inspect; All Nuts and Bolts, Tighten if needed	WEEKLY	3 MONTHS							
Inspect; Anti-Skid Surface	WEEKLY	3 MONTHS							
Clean & Lubricate; Guide Rods with a Teflon (PTFE) based lubricant (Superlube)	MONTHLY	3 MONTHS							
Lubricate; Seat Sleeves, Turcite Bushings, Linear Bearing	MONTHLY	3 MONTHS							
Clean and Wax; All Glossy Finishes	6 MONTHS	YEARLY							
Repack with Grease; Linear Bearings	6 MONTHS	YEARLY							
Replace; Cables, Belts and Connecting Parts	YEARLY	3 YEARS							

*Your equipment comes with a commercial maintenance decal. For personal, in home use, please follow the home maintenance schedule listed above.*

## General Maintenance Information

### **Links, Pull-Pins, Snap Hooks, Swivels, Weight Stack Pins:**

- \*Check all pieces for signs of visible wear or damage.
- \*Check springs in snap hooks and pull-pins for proper tension and alignment.
- \*If the spring sticks or has lost its rigidity, replace it immediately.

### **Upholstery:**

- \*To ensure prolonged upholstery life and proper hygiene, all upholstered pads should be wiped down with a damp cloth after every workout.
- \*Periodically take the time to use a mild soap or an approved vinyl upholstery cleaner to deter the onset of cracking or drying. Avoid using any abrasive cleaners or cleaners not intended for use on vinyl.
- \*Replace ripped or worn upholstery immediately.
- \*Keep sharp or pointed objects clear of all upholstery.

### **Decals:**

- \*Inspect and familiarize yourself with any safety warnings or other user information posted on each decal.

### **Nuts and Bolts:**

- \*Inspect all nuts and bolts for any loosening and tighten if needed.
- \*Go through a re-tightening sequence periodically to ensure that all hardware is tensioned proper.

### **Anti-Skid Surfaces:**

- \*These surfaces are designed to supply secure footing and need to be replaced if they appear worn or become slippery.

### **Belts and Cables:**

- \*We use only high quality belt, and mil-spec cables.
- \*Visually inspect the belts and cables for fraying, cracking, peeling or discoloration.
- \*While the machine is not in use, carefully run your fingers along the belt or cable to feel for thinning or bulging areas.
- \*Replace belts and cables immediately at the first signs of damage or wear. Do not use equipment until belts or cables have been replaced.

### **Belt and Cable Tension:**

- \*Referring to the Owners Manual, when belts or cables are used check all bolt attachments to be sure they are properly attached.
- \*Check slack in cables and re-adjust cable tension if needed.

### **Seat Sleeves, Guide Rods:**

- \*Wipe down adjusting tubes with a dust free rag before applying lubricant.
- \*Lubricate seat sleeves and Guide Rods with a Silicon or Teflon based lubricant spray.

### **Linear Bearings:**

- \*Referring to the Owners Manual carefully disassemble the bearing from its housing and place a finger full of light grease (lithium, super lube, etc.) into the inside of the bearing. Using your finger, press the grease into the ball-bearings and their tracks. Repeat until the ball-bearing tracks are full of grease. Insert the shaft back into the bearing and wipe off excess grease.

**PLEASE KEEP THIS FOR YOUR RECORDS**

## Weight Training Tips

Use this manual to guide you through the basic exercises you can perform on your equipment. To gain maximum results and avoid possible injury, consult a fitness professional to develop your complete exercise program.

Always consult your physician before starting any exercise program.

To be successful in your exercise program, it is important to develop an understanding of the basic principles of strength training. Now that you have your equipment, it is only natural that you want to get started immediately. First, determine a set of realistic goals and objectives for yourself. By deciding on an exercise plan that is right for you prior to starting, you will contribute significantly to your success.

Warm up properly before engaging in weight resistance training. Stretching, yoga, jogging, calisthenics or other cardiovascular exercise can help prepare your body for the heavier workload of lifting weights.

Learn how to perform the exercise correctly before using heavy weight. Correct form is important to avoid injury and to ensure that you work the proper muscle groups.

Know your limitations. If you are new to weight training or are embarking on an exercise regimen after a long layoff, start slowly and build foundational strength over a longer period of time.

Pay attention to your breathing. Exhale when you exert is a general rule of thumb. Never hold your breath.

